

Instruction on Water Defrost

For NK Evaporator Units

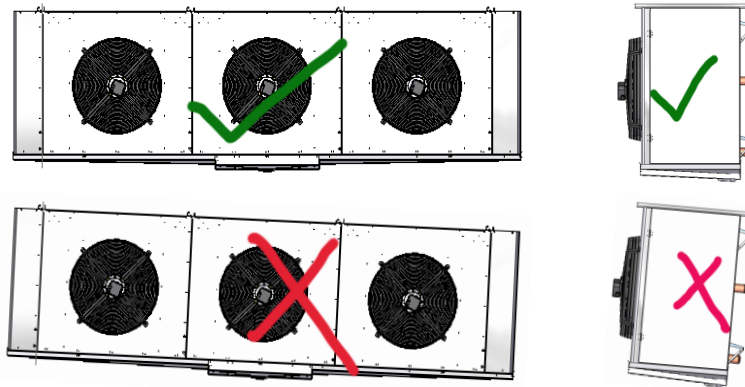
NK系列冷风机水化霜使用说明

THANK YOU for purchasing the "NK Evaporator(s) with Water Defrost Option" supplied by Beijer Ref(Wuxi). Please familiarise yourself with the following important notes.

感谢使用百尔制冷（无锡）有限公司提供的“NK”系列水化霜冷风机，请阅读下面重要说明。

■For the best performance, unit must be installed horizontally. Tilt will cause water unequal distribution, water spill out and other problems.

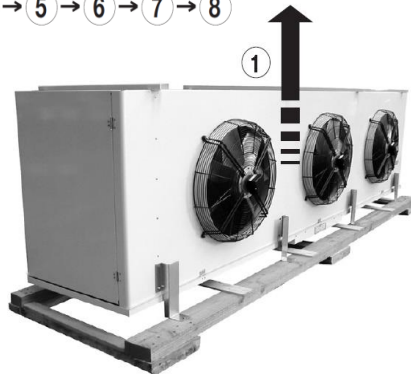
请将产品水平安装以获取最佳性能，倾斜将导致化霜水分配不均匀，水溅出等问题。



■Mounting evaporator and adjusting the baffle from transport position to work position

安装冷风机并将挡板从运输位置调整到工作位置

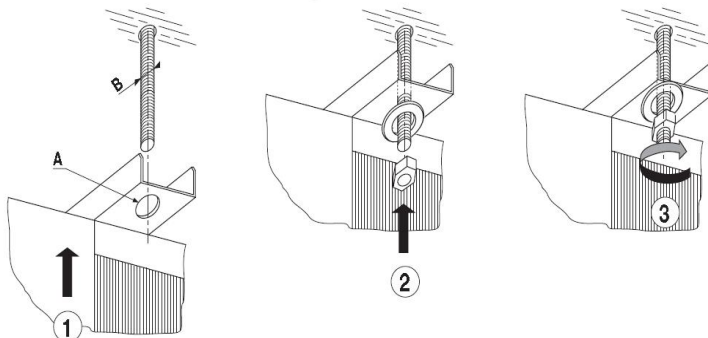
→ ① → ② → ③ → ④ → ⑤ → ⑥ → ⑦ → ⑧

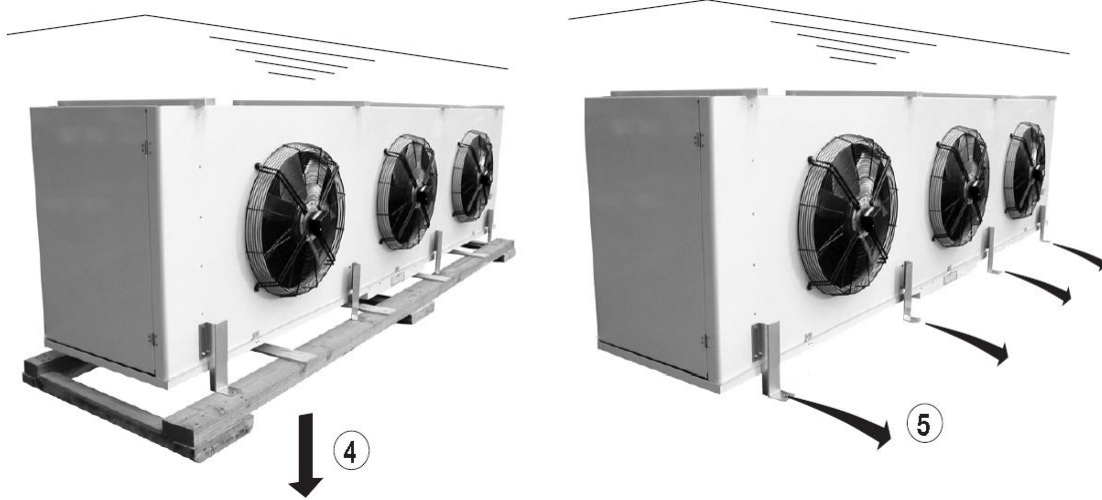


	A	B
φ630 mm	16mm	M14
φ800 mm	19mm	M16

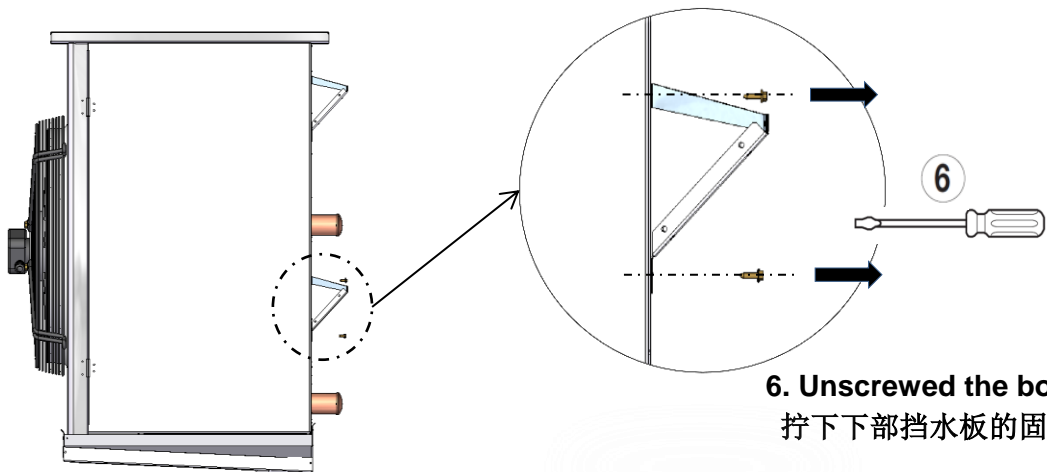
1~3.Fitting to ceiling

将冷风机吊装到库顶

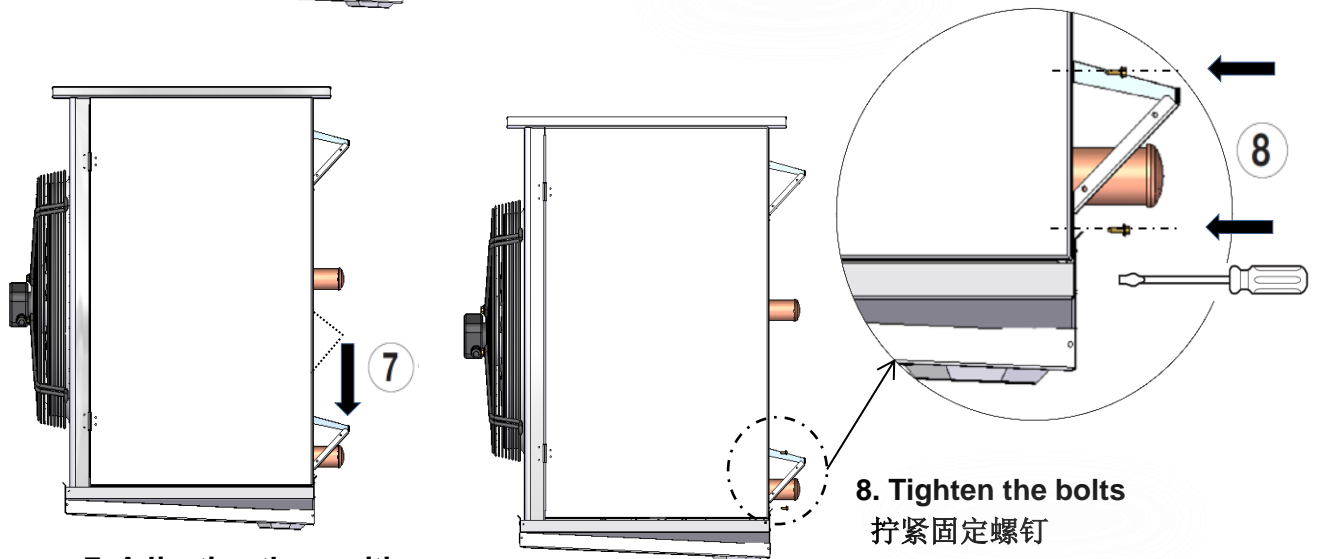




4~5. Remove wood tray and remove support leg
移除木底托，移除支脚



6. Unscrewed the bolts
拧下下部挡水板的固定螺钉



7. Adjusting the position
调整下部挡水板的位置

8. Tighten the bolts
拧紧固定螺钉

■ Maximum water flow-rate:**最大除霜水流量**

1 Fan: 5 m ³ /h	1 风扇: 5 m ³ /h
2 Fan: 10 m ³ /h	2 风扇: 10 m ³ /h
3 Fan: 15 m ³ /h	3 风扇: 15 m ³ /h
4 Fan: 20 m ³ /h	4 风扇: 20 m ³ /h

■ Please using soft water and filtering particles, if defrost water is too hard, scale deposit will be a serious problem which causes the fin and motor to slowly corrode and eventually fail. Particles will block valves and holes.

请使用软化水并滤除水中杂质，如果除霜水水质太硬，水垢将会是一个严重的问题，会导致翅片和电机被慢慢腐蚀并最终损坏。杂质会堵塞阀门和出水孔。

■ Fan-motor wiring: motor thermal protection switch must be connected in circuit. Please refer to the wiring diagram.

风扇电机接线：电机热保护开关必须串联到接线回路。

